

TRT. MADE
POSSIBLE

KAB 61K4-M MARINE SEAT

KAB//Seating - Marine



**170KG
RATED**

The KAB 61K4 is designed for comfort in the harshest marine environments.

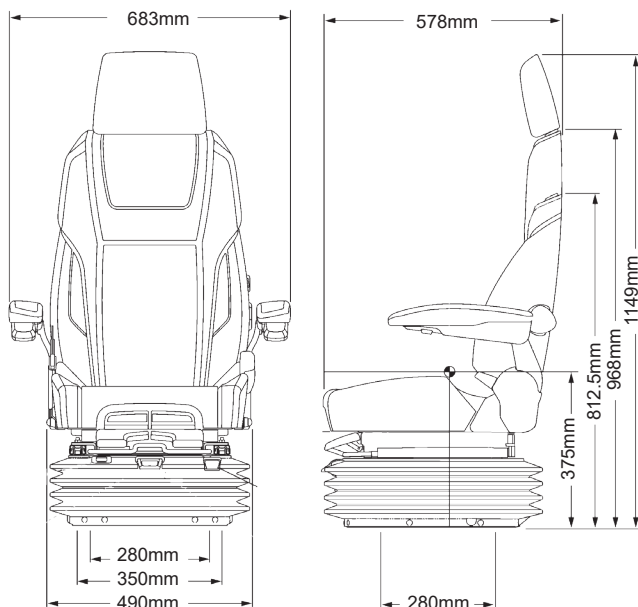
This KAB 61K4-M seat features extra heavy duty mechanical suspension with the highest operator rating in the KAB range of 170kg. This seat has the latest design features to ensure your operators have the best ride available. This seat can be fitted in a variety of vessels.

Other features include:

- Manual weight adjustment, 80-170kg
- Fore and Aft adjustment of 200mm
- 5 position lumbar support
- Seat cushion slide and tilt of 50mm

Options:

- Armrests
- Lap seatbelt, 3-point lap/diag belt, 4-point harness belt



TRT. MADE
POSSIBLE

KAB 514C-M MARINE SEAT

KAB//Seating - Marine



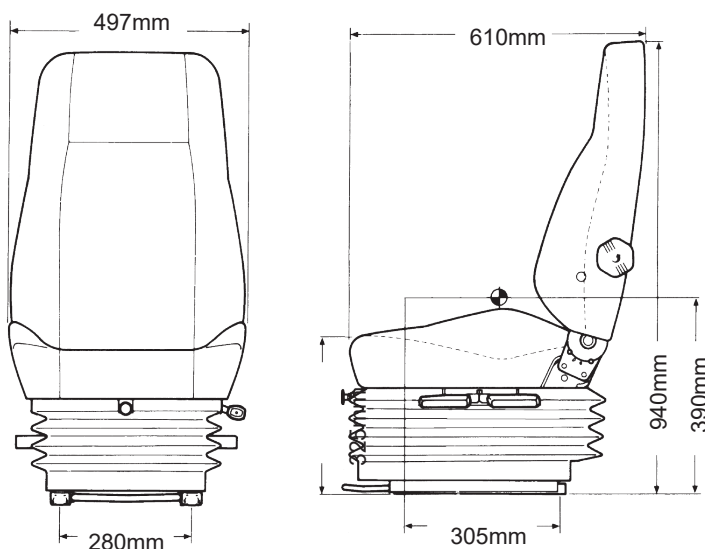
The KAB 514C features an integrated 4 point harness for maximum safety in the most extreme conditions. The operator is secure, reducing body movement and fatigue over long periods.

Other features include:

- 5 position mechanical lumbar support
- Fore and aft adjustment of 180mm
- Manual adjustment for operator, 50 to 120kg
- 60mm height and tilt adjustment
- 100mm vertical suspension stroke
- Double locking heavy duty slide rails
- Integrated 4 point full harness seat belt
- Vibration performance to ISO 7096

Options:

- Adjustable armrests
- Up to 360° swivel options
- Various trim options including leather, fabric or vinyl
- heavy duty 150kg rating



TRT. MADE
POSSIBLE

KAB 515-M MARINE SEAT

KAB//Seating - Marine

Suitable for a wide range of marine vessels.

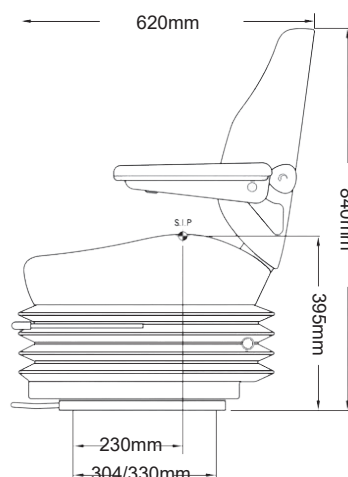
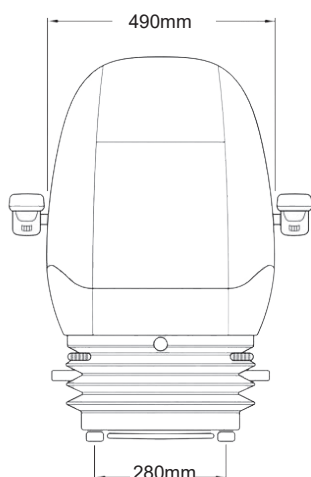
The KAB 515 features a mid height back rest with lumbar support. This seat is ideally suited to a trawler or any workboat where the operator needs to regularly turn to view controls and other equipment.

Other features include:

- Manual weight adjustment, 80-150kg
- Fore and Aft adjustment of 200mm
- 60mm seat height and tilt adjustment
- 5 position lumbar support
- Factory fitted adjustable armrests

Options:

- Vinyl trim
- Swivel



TRT MADE
POSSIBLE

KAB 524-M MARINE SEAT

KAB//Seating - Marine



This KAB 524 seat features extra heavy duty mechanical suspension with and operator rating of 150kg.

With its high back feature and air lumbar system. The KAB 524 Marine seat provides superior support for operators in marine conditions This ensures they are looked after in the harshest marine environments.

Other features include:

- Manual weight adjustment, 80-150kg
- Fore and Aft adjustment of 200mm
- 5 position lumbar support
- Seat cushion slide and tilt of 50mm

Options:

- Armrests
- Lap seatbelt, 3-point lap/diag belt, 4-point harness belt
- Swivel

